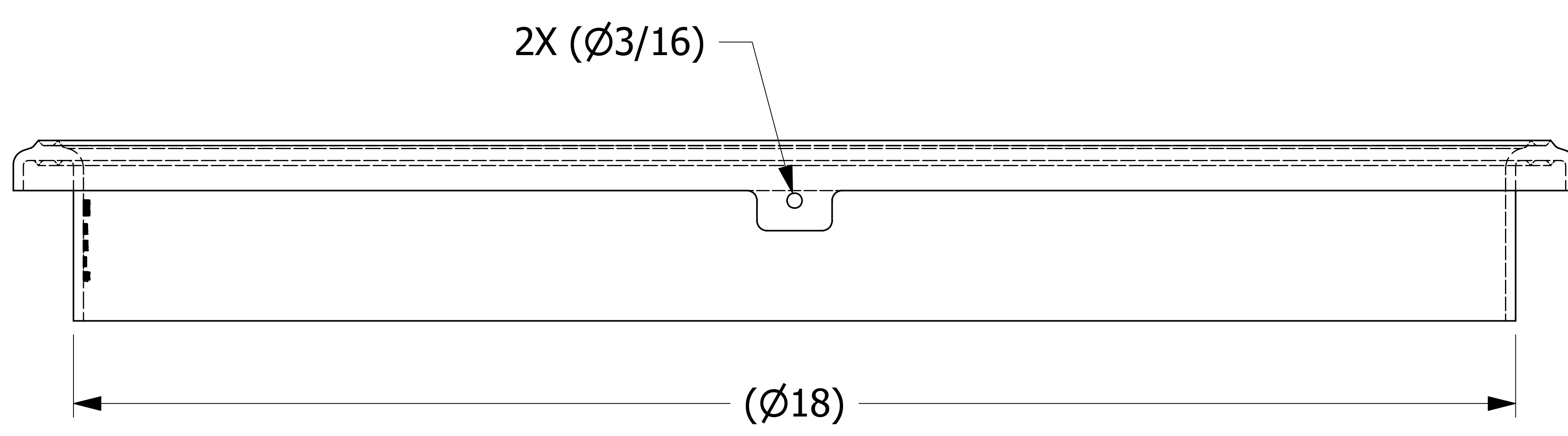


SALCO PRODUCTS
 PART# TC18NGVA
 MATERIAL: VITON A
 PATENTS:
 WWW.SALCOPRODUCTS.COM/LEGAL

SECTION A-A
SCALE 3 : 1



NOTE:
 MATERIAL IS DUPONT U2A/SU2A CERTIFIED
 BLACK VITON® A, HARDNESS 75±5 SHORE A

REV	BY	DATE	DESCRIPTION
L	WEB	12-10-15	UPDATED PATENT INFO AND TITLEBLOCK
K	REH	11-23-10	ADDED PATENT PENDING NOTE
J	CHL	1-5-10	ADDED TOLERANCE TO 80° DIM
I	CHL	1-4-10	ADDED CHEVRONS TO UNDERSIDE OF GASKET
H	BRG	9-11-08	REMOVED CHART/ MATERIAL WAS BROWN VITON

UNLESS OTHERWISE SPECIFIED DIMENSIONAL TOLERANCES FRACTIONAL: ±1/16 X.XX: ±.03 X.XXX: ±.015 ANGULAR: ±1° DEBURR ALL SHARP EDGES. ALL MACHINED SURFACES TO HAVE A 125 RMS FINISH UNLESS NOTED OTHERWISE.	DRAWN BY: CLH
THIRD ANGLE PROJECTION	CHECKED BY: MR
	PROTOTYPE BY: CLH
	PROTOTYPE DATE: 9/14/1995
	APPROVED FOR PRODUCTION BY: CLH
	PRODUCTION DATE: 1/15/1997

SALCO PRODUCTS, INC.

PART NAME: **NOZZLE GASKET 18"**

MATERIAL: **SEE NOTE**

PROJECT #: **961102** SHEET #: **1 OF 1** SCALE: **1:1**

DRAWING #: **E24440** PART #: **TC18NGVA**